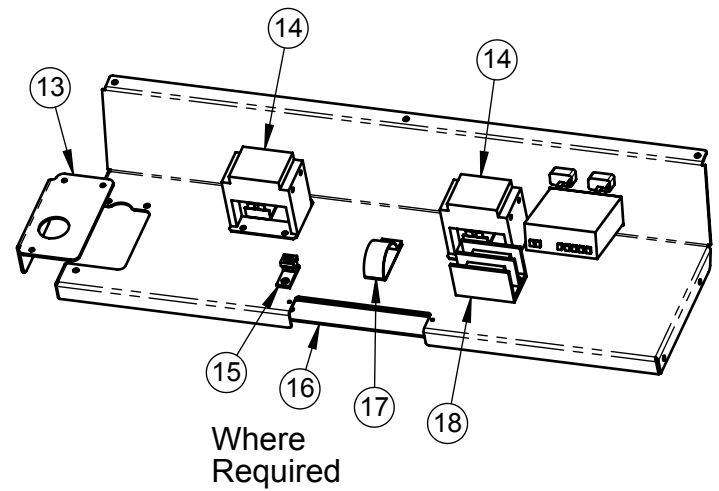
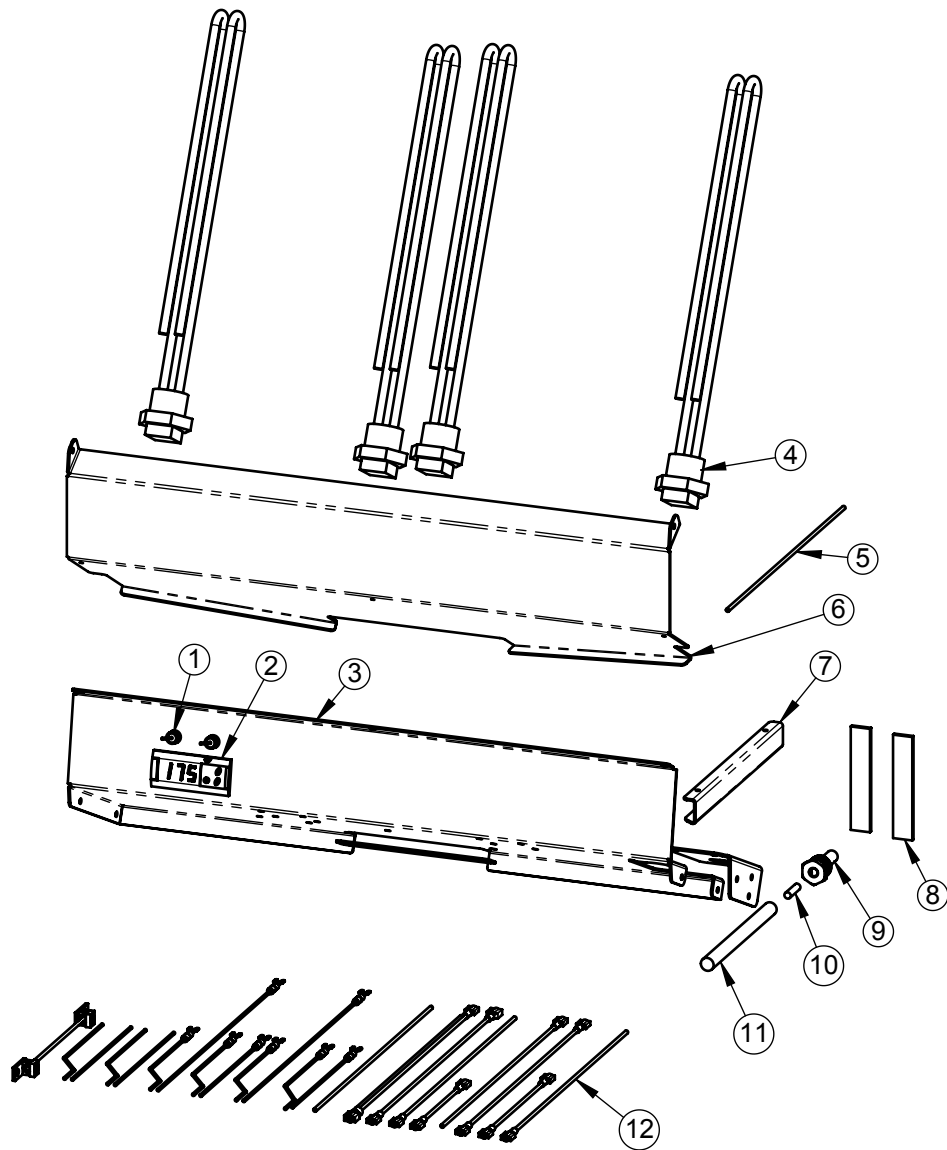


ITEM NO.	PART NO.	DESCRIPTION	QTY.
1	800836	Switch, Toggle	2
2	810268	Display, Temperature Controller, Electronic	1
3	815897	Base Plate	1
4	815890	Heating Element, Screw-in	4
5	808152	Wire, Electric, White	42 in.
6	815898	Cover Plate	1
7	816231	Extension, Rear Cover	1
8	807834	Cell Foam, Closed, Adhesive Backing	8 in.
9	806455	ETC Well for Elect. Controller	1
10	812424	Probe, PVC, w/ 5ft Cable, Temp Controller	1
11	816215	Prying Tool	1
12	816200	Wire Harness	1
13	816230	Mount, Cable, Power	1
14	815896	Contactator	2
15	809320	Ground, Terminal Block	1
16	817481	Plate, Filler	1
17	816510	Loop Clamp	1
18	816207	Terminal Block	1

For current authorized dealer use only. Not intended for general distribution.



For current authorized dealer use only. Not intended for general distribution.